

# LAZER

HIGH PERFORMANCE LIGHTING

## TRIPLE-R 4 ('750') PLUS POSITION LIGHT



Building on one of our most popular products in the Triple-R range, the 4 (or '750') Standard with Position Light offers incredible driving light performance from a compact and great value unit, with the added styling and safety benefits of integrated Position Light function. This unit will outperform competitor products while it's unique styling and E-mark approval make it the perfect lighting accessory for the 4x4, pick-up, and commercial vehicle markets.



## ULTRA LONG-RANGE LED DRIVING LAMPS

# TRIPLE-R

## TRIPLE-R 4 ('750') STANDARD

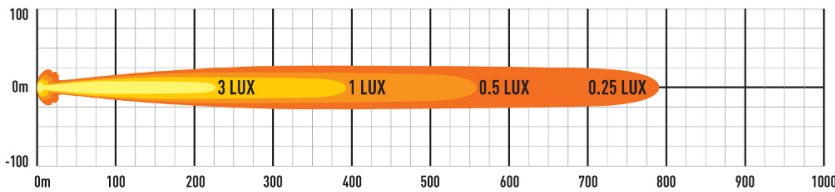


ALSO AVAILABLE IN TITANIUM

- Ultra long-range optics
- High output LED's from world leader in LED technology
- Integrated Position Lights for added safety and improved styling
- CAE optimised heatsink
- Electronic thermal management
- 'Unbreakable' polycarbonate lens
- Innovative design and unique styling

### TRIPLE-R 750 PL (WITH INTEGRATED POSITION LIGHT)

GENERATED FROM BSI LAMP PHOTOMETRIC TEST DATA: ON ROAD MEASUREMENT DATA



### MOUNTING OPTIONS:



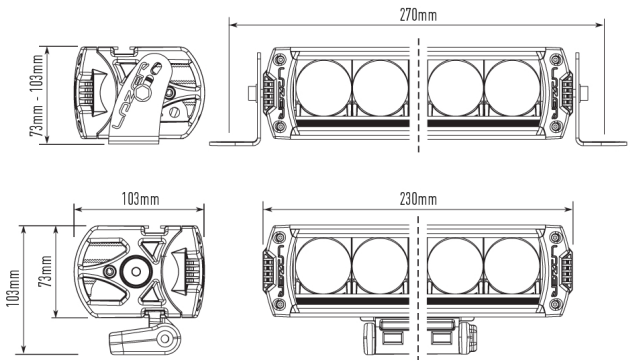
(Side Bracket kit sold separately)



### TECHNICAL SPECIFICATIONS

E-MARK REF	27.5
VOLTAGE RANGE	9V - 32V
RAW LUMENS	4100
BEAM PATTERN	Spot
OPTICAL EFFICIENCY	92%
BEAM DISTANCE (0.25LX)	786m
# HIGH POWER LEDs	4
POWER CONSUMPTION	45 Watts
CURRENT DRAW <sup>†</sup>	3.1 Amps
LED LIFE	50,000 Hrs*
WEIGHT	780g

\* LED Manufacturers Specifications <sup>†</sup>At 14.4 Volts



#### LAZER LAMPS LTD

Units 1+2, Harlow Mill Business Centre, Riverway, Harlow, Essex. CM20 2FD. UK

Tel: +44(0)1992 677374

Email: sales@lazerlamps.com

www.lazerlamps.com

# LAZER

HIGH PERFORMANCE LIGHTING

